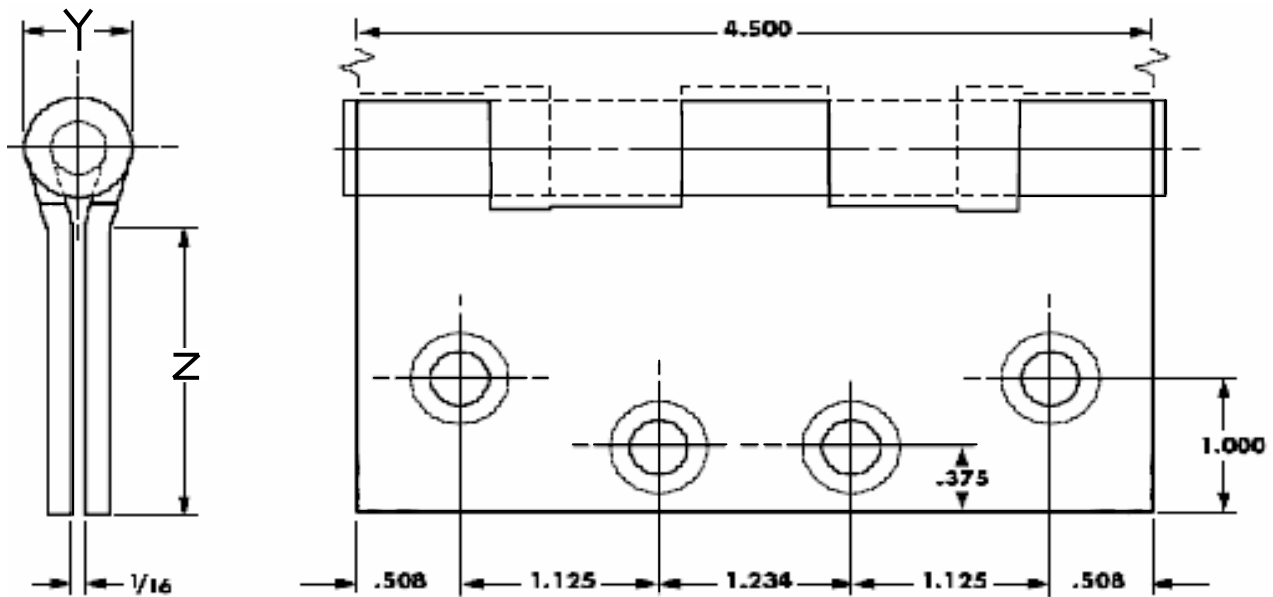


# FULL MORTISE TEMPLATE BUTT HINGES - 4 1/2" x 4 1/2"



DO NOT SCALE

Hinge Number	Gauge of Metal	( Y ) Outside Diameter	Distance From Edge of Leaf to Swage Line ( Z )
Type 5 - 4 1/2" x 4 1/2"	0.134	0.605	1 29/32
5BB - 4 1/2" x 4 1/2"	0.134	0.625	1 25/32

Machine Screw Size - 1/2" x 12-24 F.H.  
 Wood Screw Size - 1 1/4" x No. 12 F.H.

## Design Hardware

159 Endeavor Drive - Rogersville, MO 65742

Phone 877-258-1262 - Fax 877-888-0150 - [www.designhardware.net](http://www.designhardware.net)