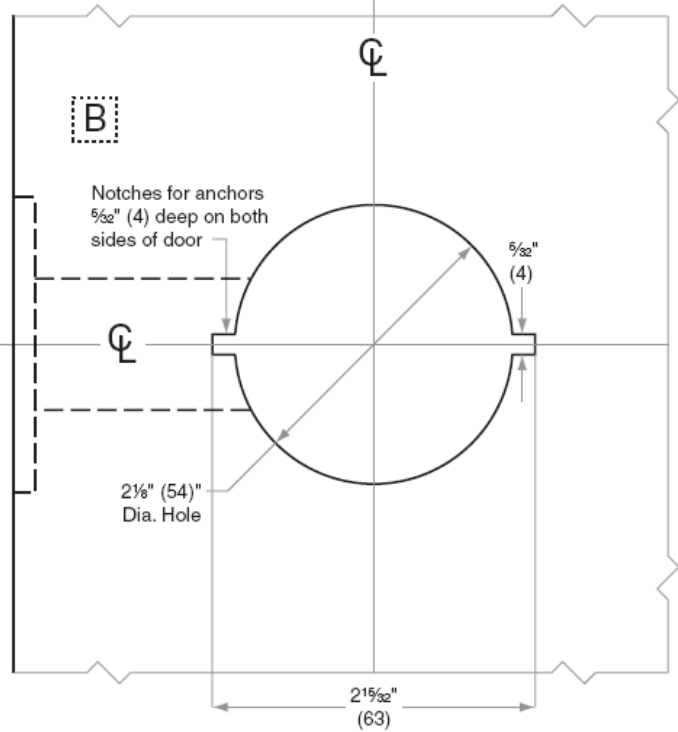
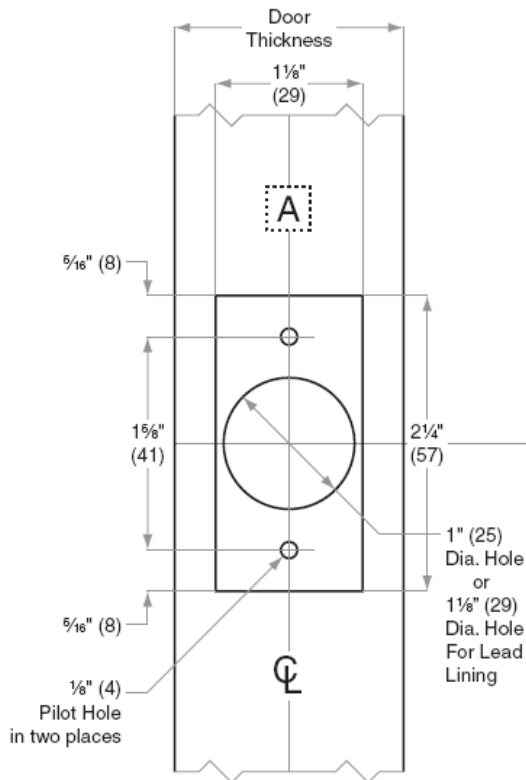
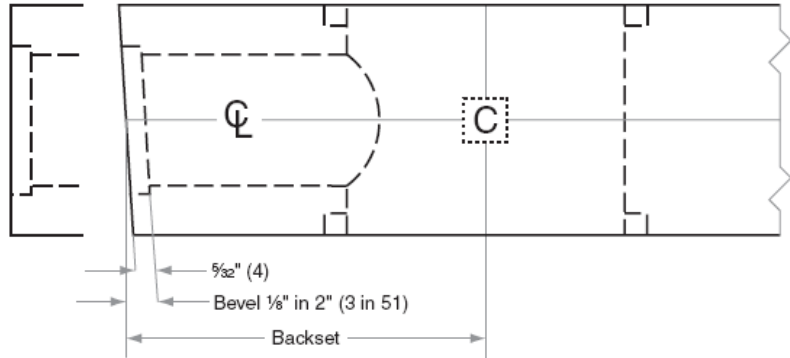
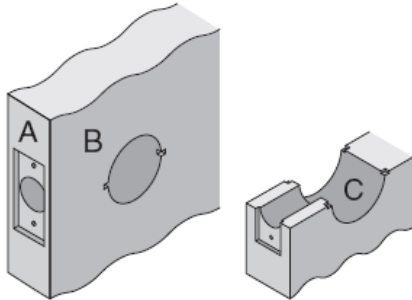


# Design Hardware



<p><b>Template No.</b> <b>V-021009-2</b></p>	<p><b>Design Hardware</b></p> <p>V Series Cylindrical Lockset</p>	<p><b>Functions</b> 75, 76, 82, 84, 86 w/ Opt. 2 3/4" Latch</p>
--	---	---