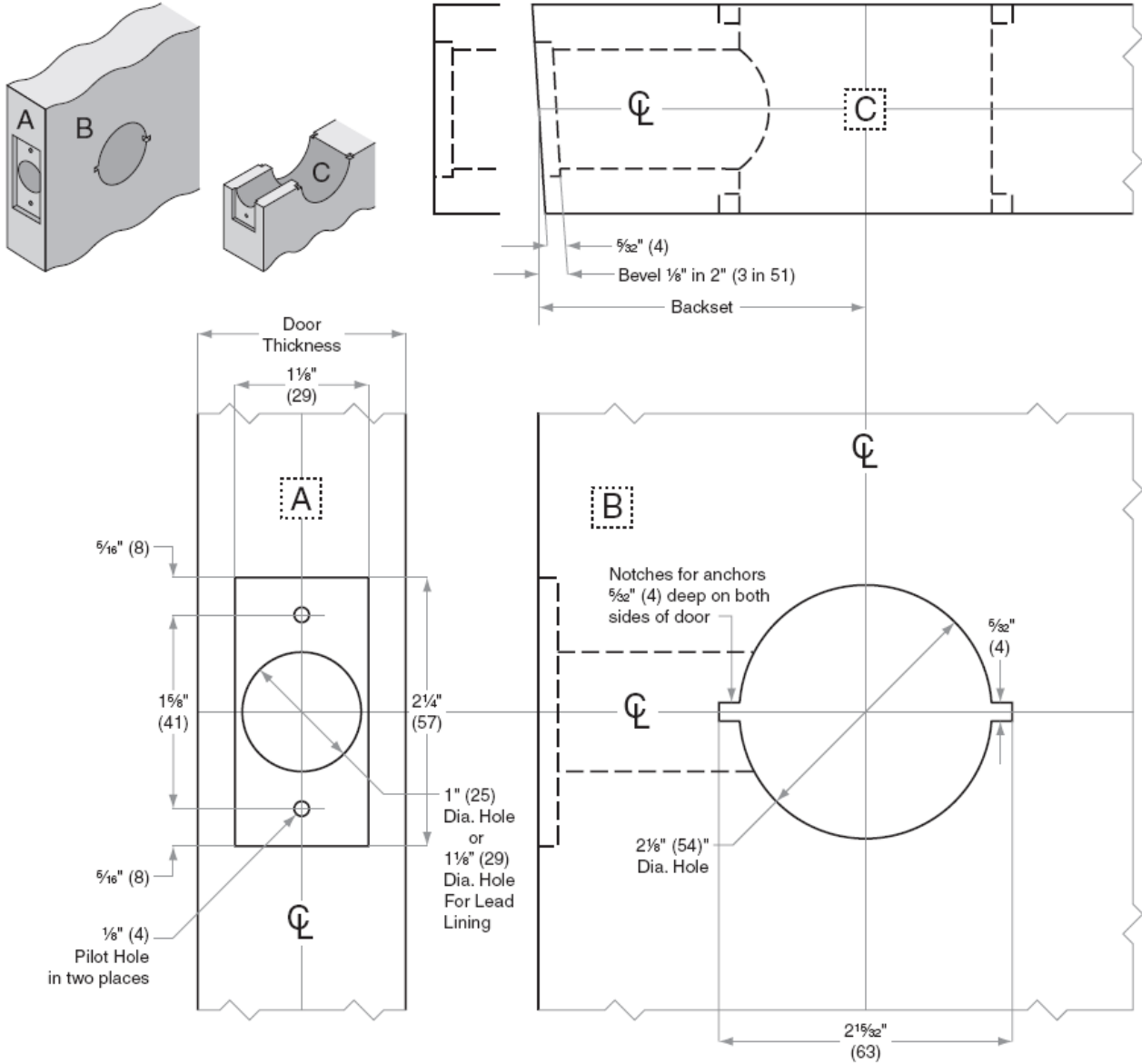


# Design Hardware



<p><b>Template No.</b> <b>K2-021209</b></p>	<p align="center"><b>Design Hardware</b></p> <p align="center"><b>K2 Series Cylindrical Lockset</b></p>	<p><b>Functions</b> <b>75, 76, 82, 84, 86</b> <b>w/ Std. 2 3/4" Latch</b></p>
---	---	---