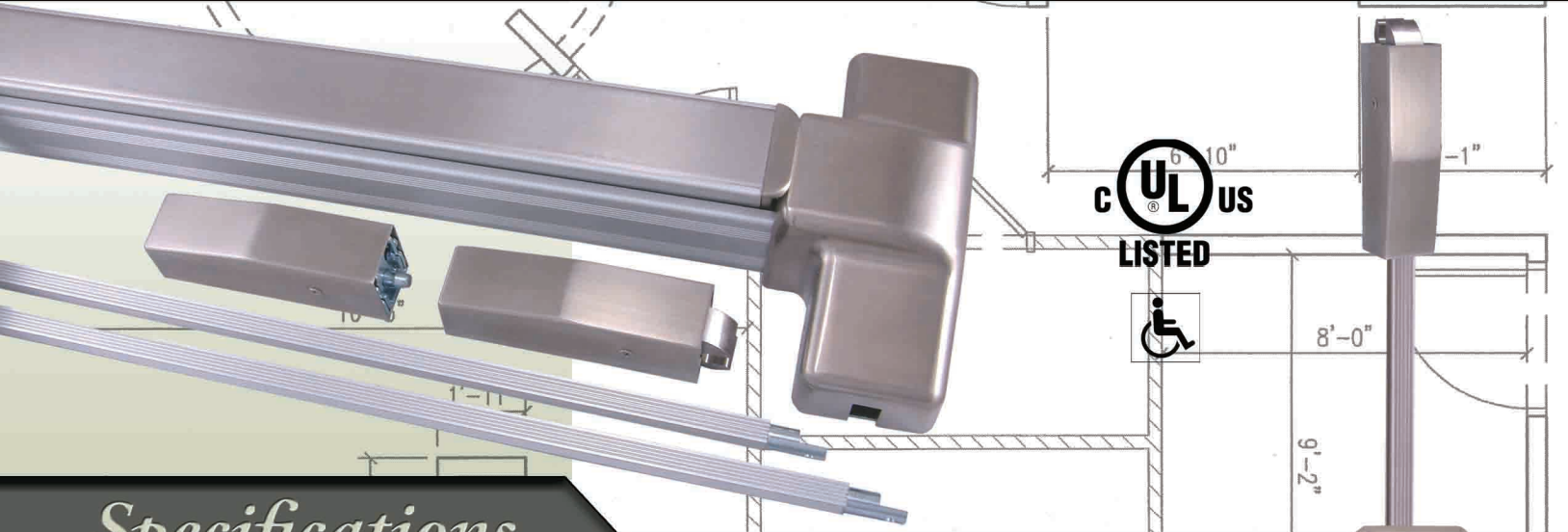


1000 Series *Heavy Duty SVR Exit Device*



Specifications

- ANSI :** Meets & Exceeds ANSI A156.3 - Grade 1 Standards
- UL Listings:** UL Listed for Panic Exit Hardware
UL Listed for "A" Label 3 Hour Fire Doors to 8'-0" x 10'-0"
- ADA :** Meets ADA requirements ANSI A117.1 with Lever Trim
- Handing :** Easily Re-handed in the field - Shipped as RHR
- Construction :** Heavy Duty Extruded Anodized Aluminum Channel & Steel Chassis
- Finishes :** US4 , US10B & US32D on Headcover, Pushbar & Endcap
- Top Latch :** U Shaped Top Latch for Secure Engagement with strike
- Bottom Latch :** Drop Bolt Style Bottom Latch Secures into flat strike & hole in the floor
- Dogging :** Hex Key Dogging Standard on Panic Exit Hardware
- Cylinder Dogging :** Cylinder Dogging Kits available for new or existing exit devices
- Device Lengths :** 33" for 3'-0" wide doors and 42" for 3-8" to 4'-0" wide doors
- Min. Door Width :** 33" & 42" devices can be cut down to fit on minimum door width of 2'-8"
- Door Heights :** 7"-0" Standard - Extended Top Rods available for up to 10'-0" tall doors
- Center Case Dim. :** 8" Height x 2 7/8" Wide x 2 13/16" Thick - 4 1/2" Min. stile required
- Mechanism Case Dim. :** 2 3/16" Height x 2 3/16" Wide
- Projection :** 3 3/8" Undogged - Pushbar Neutral & 2 13/16" Dogged - Pushbar Depressed
- Fasteners :** Wood, Machine & Self Tapping Machine Screws (F1000V includes thru bolts)
- Trim & Accessories :** Wide Variety of Exterior Trims, Shim Kits other accessories available
- Alarmed Exits :** Exit Alarm Kit ALK-1000 available for new or existing devices
- Warranty:** Limited Lifetime Warranty



211 Endeavor Drive - PO Box 680
Rogersville, MO 65742
PH 877-258-1262 FX 877-888-0150
www.designhardware.net